

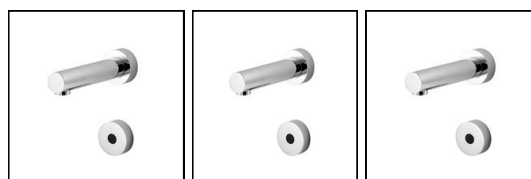
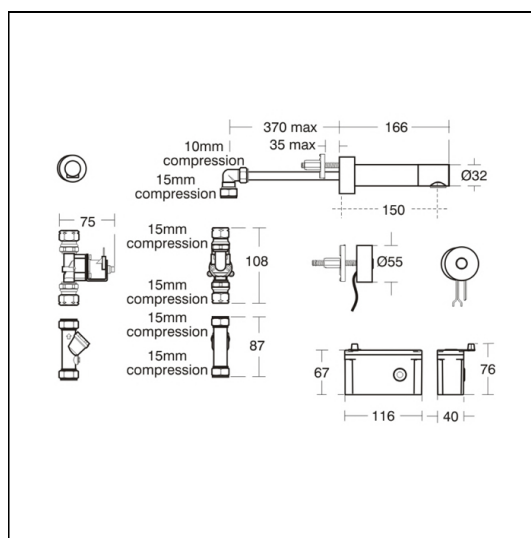
Portman 21 Washbasin 50cm No Taphole, Chainstay Or Overflow

ILLUSTRATED

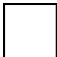

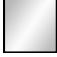
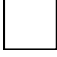
- S2251** Portman 21 washbasin 50cm, no tapholes no overflow no chainstay hole
- A4180** Sensorflow 21 tubular panel mounted 150mm projection spout with anti-splash 3.7 litres per minute aerated outlet, remote panel sensor, copper tube inlets, mains
- S8720** (WT1) Waste 1¼" brass strainer waste, 80mm unslotted tail
- S8920** (TRR1/P) Trap 1¼" plastic resealing bottle, 75mm seal, multi-purpose outlet

OPTIONS

- E0157** Wall fixing set
- A4181** Sensorflow 21 tubular panel mounted 150mm projection spout with anti-splash 3.7 litres per minute aerated outlet, remote panel sensor, copper tube inlets, link
- A4126** Sensorflow 21 tubular panel mounted 150mm projection spout with anti-splash 3.7 litre per minute aerated outlet, remote panel sensor, copper tube inlets, battery
- A4845** Sensorflow 21 compact tubular panel mounted 150mm projection spout, anti splash or anti vandal laminar flow outlet, integral sensor, copper tube inlets, battery
- A4846** Sensorflow 21 compact 150mm panel mounted spout with integral sensor, 3.7 litre per minute aerated spray outlet, combined inline servicing and filter, mains
- A4847** Sensorflow 21 compact tubular panel mounted 150mm projection spout, anti splash or anti vandal laminar flow outlet, integral sensor, copper tube inlets, link
- A4178** Sensorflow 21 panel mounted 150mm cast spout with integral sensor, flexible inlet tail, solenoid valve, combined servicing valve and filter, sensor and solenoid cables and flex connectors, mains
- A5900** TMV thermostatic mixing valve, 15mm



ILLUSTRATED PRODUCT DETAILS

| | |
|----------------------------------|---|
| Sizes | Finishes |
| S2251 w:50 x d:42 | S2251  White (01) |
| Weights | A4180  Chrome (AA) |
| S2251 12.73 KG | S8720  Chrome (AA) |
| A4180 2.45 KG | S8920  Neutral / No Finish (67) |
| S8720 0.23 KG | |
| S8920 2.00 KG | |
| Materials | Flow rates |
| S2251 Vitreous China | A4180 3.7 Litres per minute @ 3 bar pressure |
| A4180 Chrome Plated Brass | |
| S8720 Chrome Plated | |
| S8920 Plastic | |

FEATURES



FINISH OPTIONS



Portman 21 Washbasin 50cm No Taphole, Chainstay Or Overflow

finish

Special Notes

S9137 Bracket for 60cm& 50cm basins S9138 Bracket for 40cm basins

Recommended fixing heights (floor to front rim);

Nursery use 600mm

Infant use 700mm

Junior use 750mm

Senior/adult use 780-800mm.

Washbasin wall mounted using E015767 wall fixing set or panel mounted using E006267 fixing set